

- 300.00 MHz IF SAW Filter / 9.20 MHz Bandwidth
- Revision 1: 29 Oct. 2007

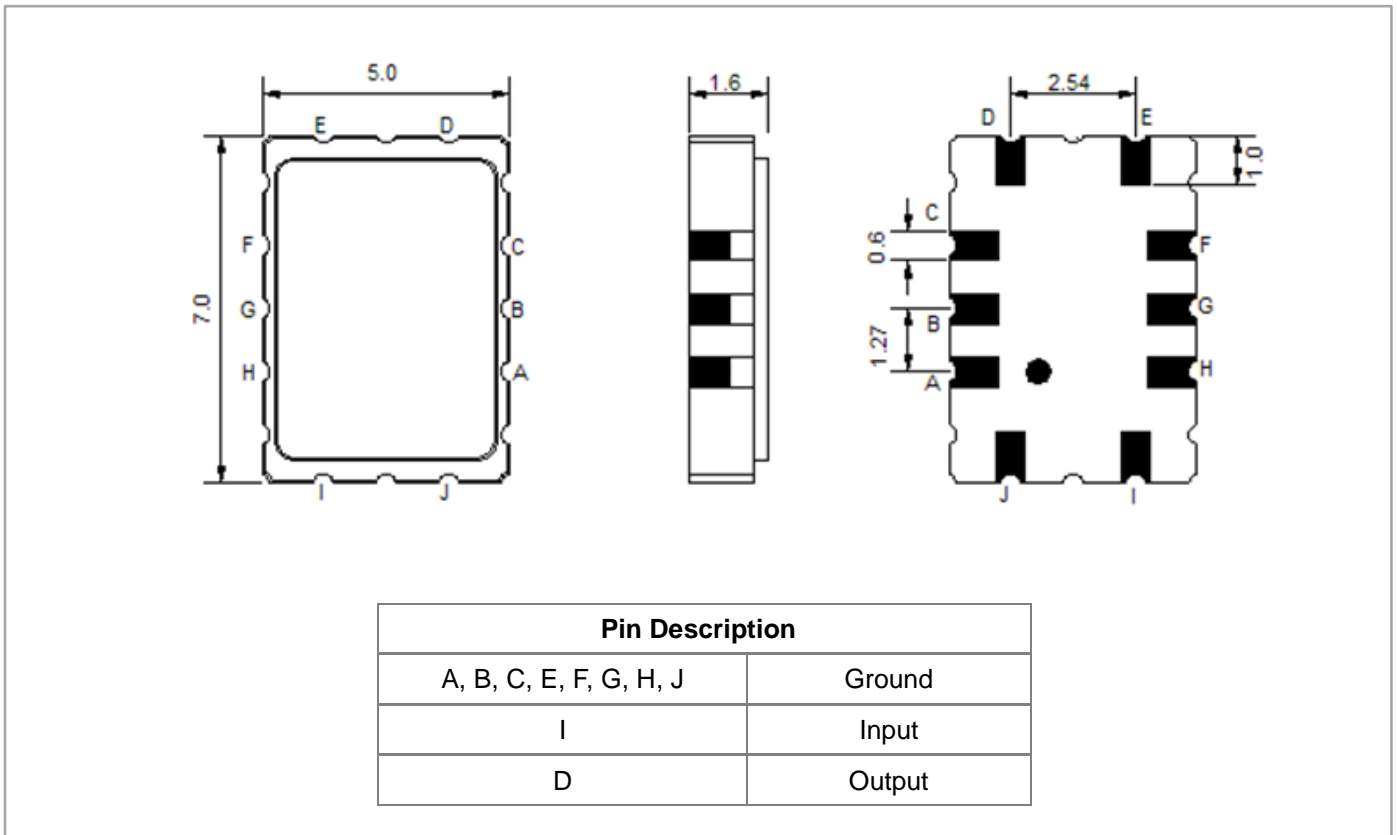
Electrical Characteristics

MAXIMUM RATING				
PARAMETERS DESCRIPTION	UNIT	MINIMUM	TYPICAL	MAXIMUM
Operating Temperature Range	°C	-30	-	80
Storage Temperature Range	°C	-40	-	85
Maximum DC Voltage	V	-	-	10
Maximum Input Power	dBm	-	-	10
Source Impedance (single ended) ⁽¹⁾	Ω	-	50	-
Load Impedance (single ended) ⁽¹⁾	Ω	-	50	-
Package type & size	S			
Length x Width	mm ²	-	7.0 x 5.0	-
Height	mm	-	-	1.6

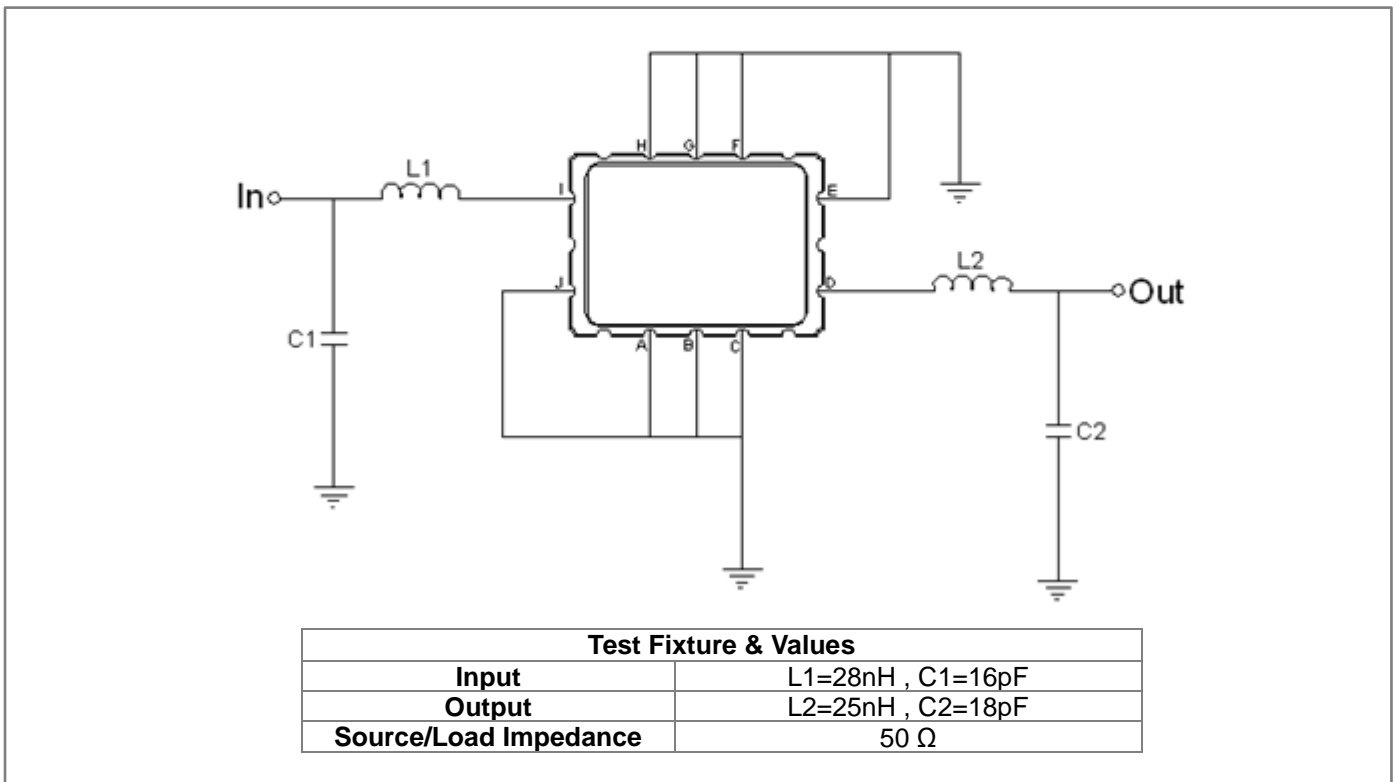
ELECTRICAL SPECIFICATION				
PARAMETERS DESCRIPTION	UNIT	MINIMUM	TYPICAL	MAXIMUM
Center Frequency (Fo)	MHz	-	300.0	-
Insertion Loss at Fo	dB	-	14.0	-
Temperature Coefficient	ppm/°C	-	-23	-
Amplitude Ripple Variation	dB _{p-p}	-	0.65	1.5
Group Delay Variation	nsec	-	32	100
Absolute Delay at Fo	µsec	-	0.520	1.0
Bandwidth at -1.0 dB	MHz	7.0	7.40	-
Bandwidth at -3.0 dB	MHz	8.0	9.20	-
Bandwidth at -40.0 dB	MHz	-	15.40	17.0
Relative Attenuation:				
Lower sidelobe	dB	40	45	-
Upper sidelobe	dB	40	45	-
Ambient Temperature	°C	-	25	-

Notes : (1) With Matching Network (Ref. Testing Environment Circuit as shown below).
Those impedances could be modified with different impedance values and/or structures, if necessary.

Package Dimensions



Testing Environment



Frequency Characteristics

Frequency Response

